



### INSTALL / ASSEMBLY SHEET

#### SUPPLY:

- Supplied in kit form -
- Seating/Table Top Unit
- Legs
- Fixings
- Install Documents
- Product Technical Sheet

Report missing or damaged parts to your sales representative.

#### HANDLING:

Handle all components with care to prevent damage. Do not allow parts to be moved along hard surfaces (concrete etc)

#### MAINTAINENCE:

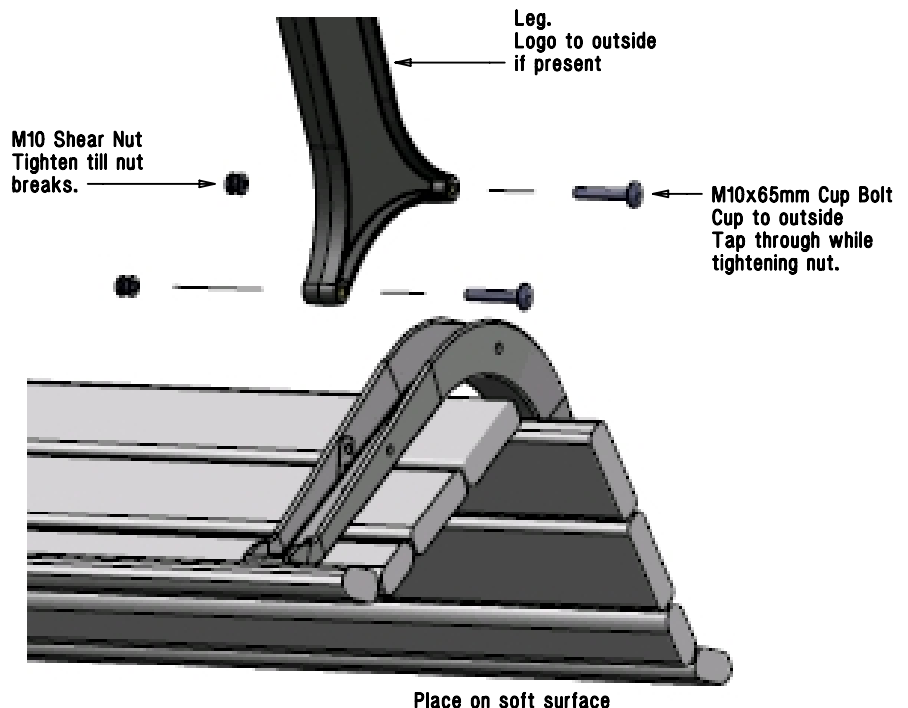
Cleaning at intervals of 3-6 months maximum, dependant on location, is required to prevent premature coating deterioration. Refer to manufacturers documentation for detailed information & instructions.

Ordered product may differ to photo in colour & options

- Fixings-
- 2 assembly bolts per leg, including shear nuts
  - 4 Dynabolts per leg (not inc with coremount product)



Quantity and style as per order



### Assembly

#### Notes:

1. See Dynabolt-Install document when installing a flange mount product
2. See Installation-Baseplates document when installing a flange mount product
3. See Installation-Setting-Layout document when installing a setting of table and seating
4. Wall Mount product install height and fixings at clients discretion and/or Engineer details
5. See Classic-Arm-Install document when installing a cast aluminium arm