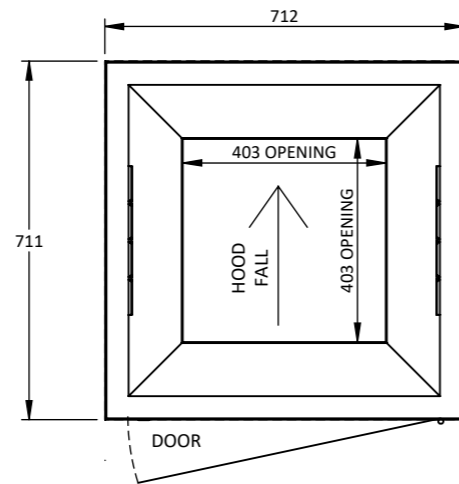


CLIENT APPROVAL

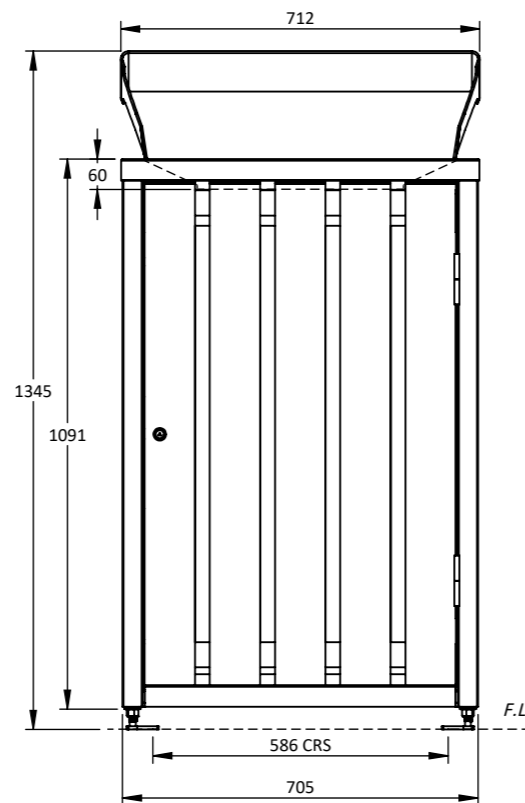
NAME _____

DATE _____

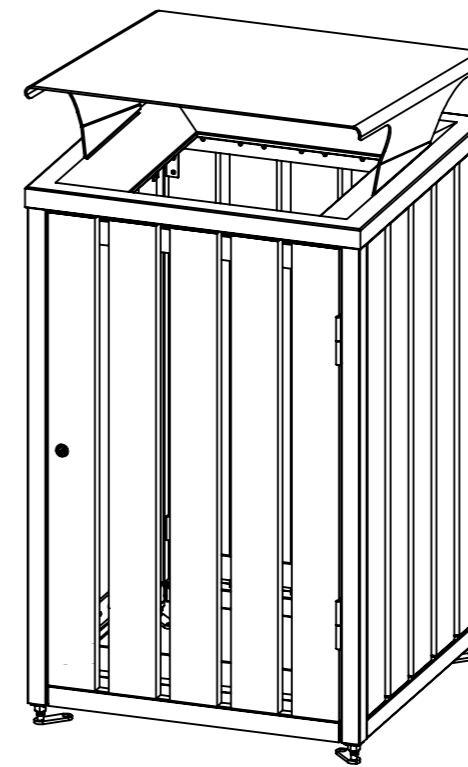
SIGNATURE _____



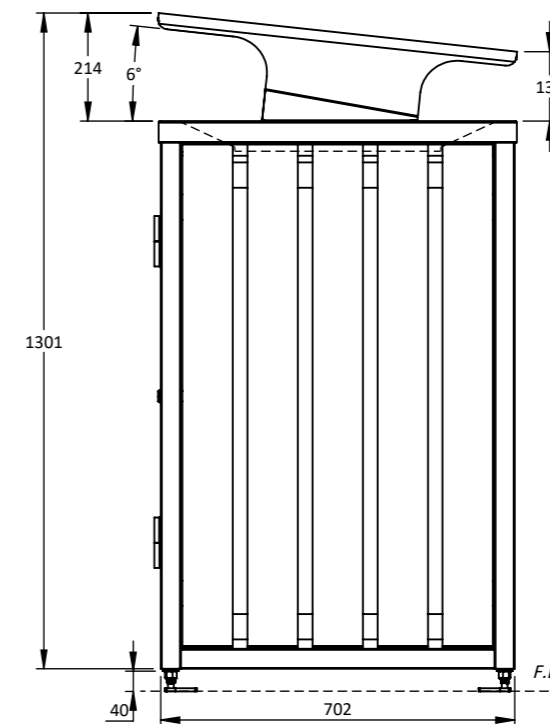
PLAN VIEW



FRONT VIEW



DIMETRIC VIEW



SIDE VIEW

GOSSI
PARK & STREET FURNITURE

1082 Kingsford Smith Drive
EAGLE FARM - QLD 4009
Phone: (07) 3877 2856
Fax: (07) 3877 2890
www.gossi.com.au Email:
sales@gossi.com.au

©Copyright - This drawing is the property of G. James Glass & Aluminium Pty Ltd it must not be copied or shown to third parties without written consent

PROJECT Tamora 120L Bin		
TITLE General Arrangement		
DATE 24/04/26	SCALE 1:15	A3
DRAWING NUMBER TM-120L-SLS-1		

GENERAL MATERIALS:

- Legs/ Frame/ Wall Battens in extruded aluminium
- Folded bin hood in 4mm Paint Grade
- Australian Standard (AS 1428.2)

FINISHES

- Extrusions in Class AA25 Anodising finishes Polyester Powder Coating
- *Note: Anodising colour may vary*

HARDWARE

- Cast height adjusters
- Stainless Steel Fixings
- Triangle or square bin lock