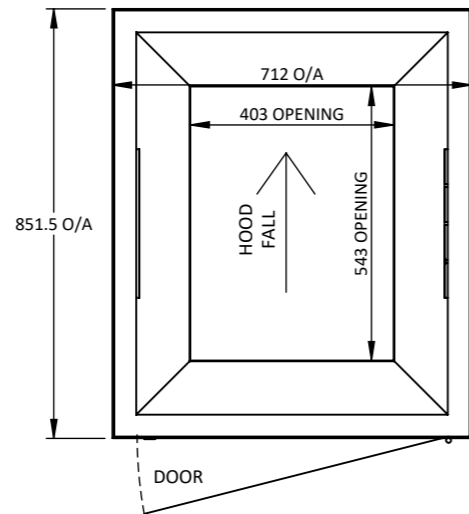


CLIENT APPROVAL

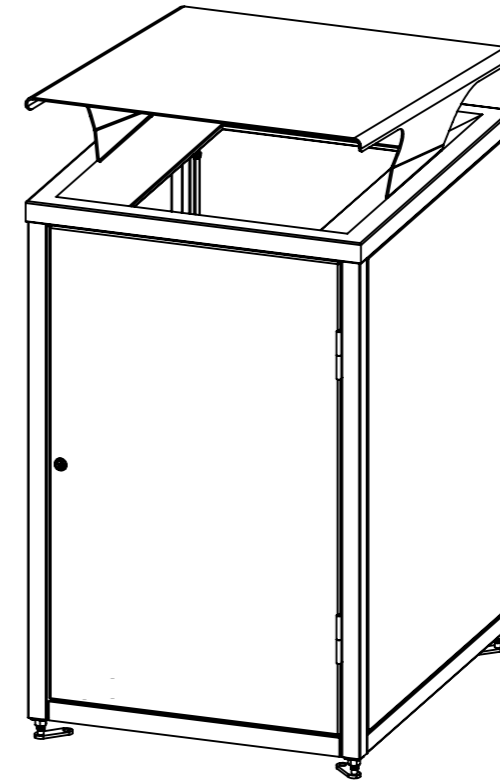
NAME \_\_\_\_\_

DATE \_\_\_\_\_

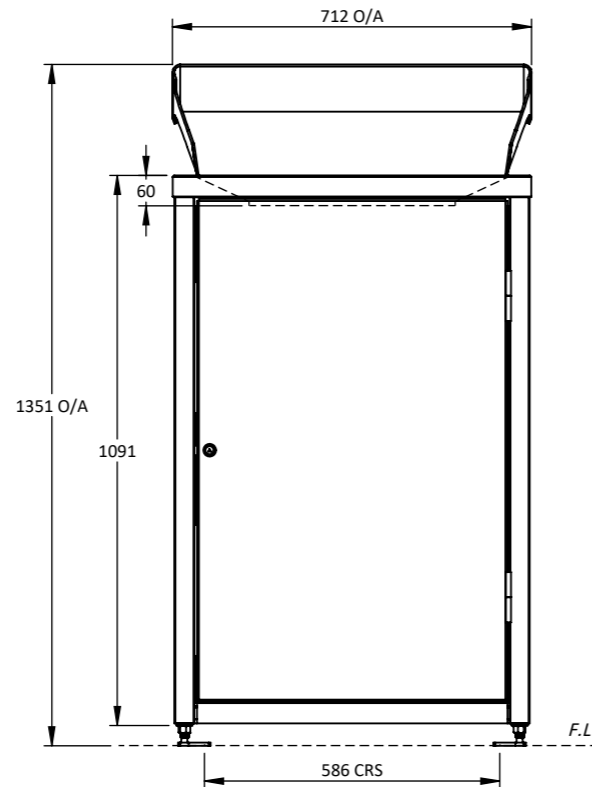
SIGNATURE \_\_\_\_\_



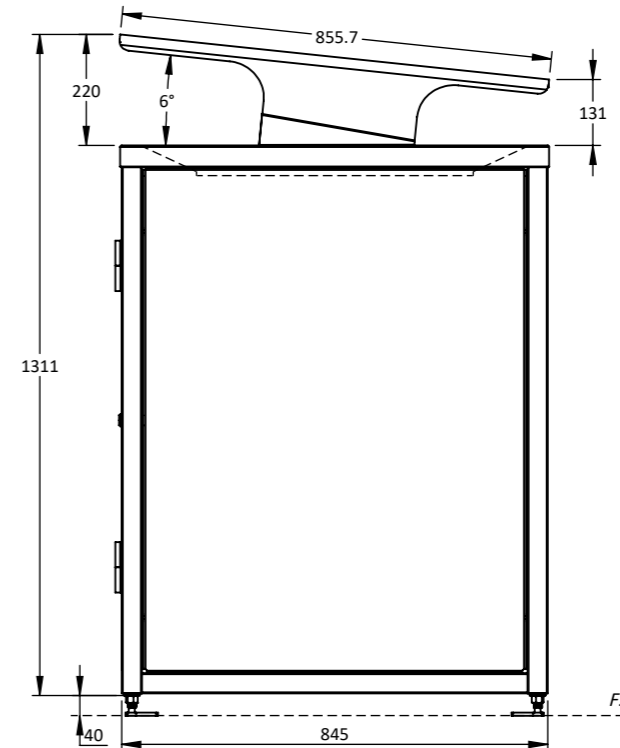
PLAN VIEW



DIMETRIC VIEW



FRONT VIEW



SIDE VIEW

**GOSSI**  
PARK & STREET FURNITURE

1082 Kingsford Smith Drive  
EAGLE FARM - QLD 4009  
Phone: (07) 3877 2856  
Fax: (07) 3877 2890  
www.gossi.com.au Email:  
sales@gossi.com.au

©Copyright - This drawing is the property of G. James Glass & Aluminium Pty Ltd it must not be copied or shown to third parties without written consent

PROJECT <b>Macquarie 240L Bin</b>		
TITLE <b>General Arrangement</b>		
DATE <b>05/02/26</b>	SCALE <b>1:15</b>	<b>A3</b>
DRAWING NUMBER <b>MQ-240L-SLS-1</b>		

**GENERAL MATERIALS:**

- Legs/ Frame in extruded aluminium
- Side, Rear, Door panels in folded sheet
- Bin hood in 6mm Anodising or Paint Grade
- Australian Standard (AS 1428.2)

**FINISHES**

- Extrusions in Class AA25 Anodising finishes
- Polyester Powder Coating
- *Note: Anodising colour may vary*

**HARDWARE**

- Cast height adjusters
- Triangle bin lock