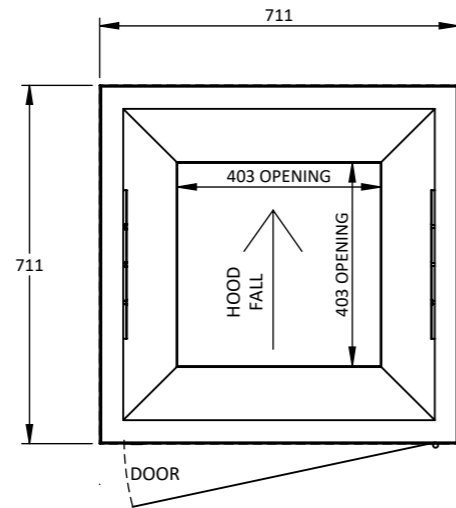


CLIENT APPROVAL

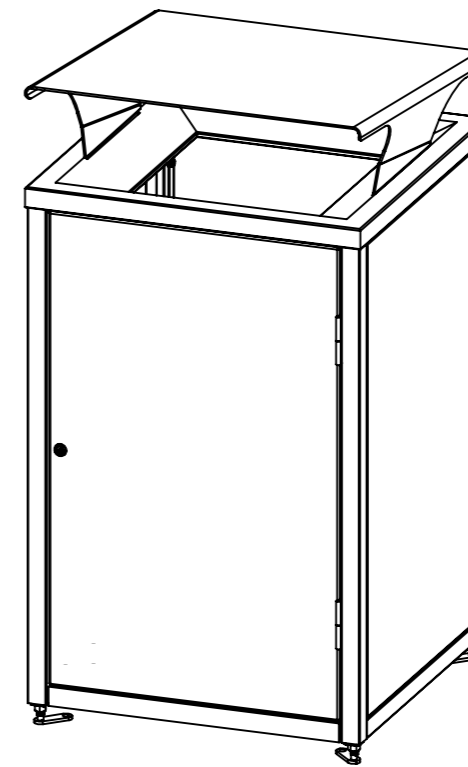
NAME \_\_\_\_\_

DATE \_\_\_\_\_

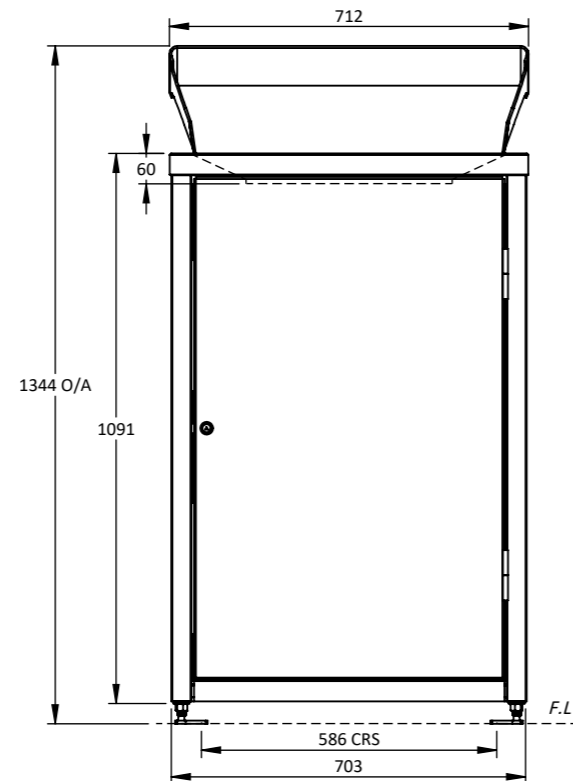
SIGNATURE \_\_\_\_\_



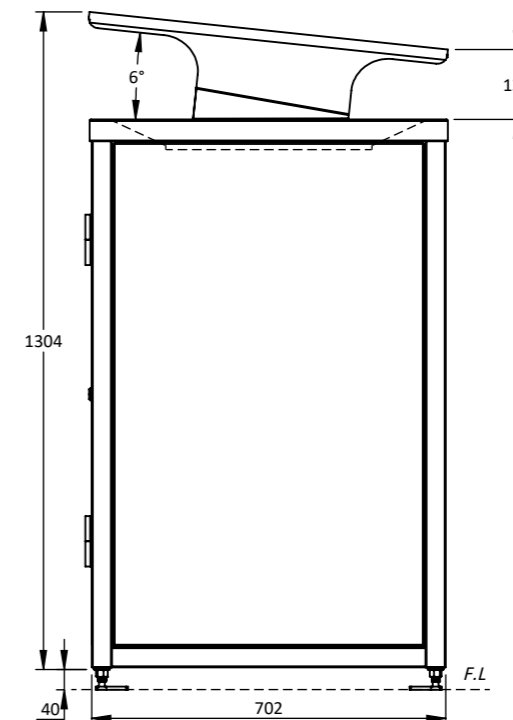
PLAN VIEW



DIMETRIC VIEW



FRONT VIEW



SIDE VIEW

**GOSSI**  
PARK & STREET FURNITURE

1082 Kingsford Smith Drive  
EAGLE FARM - QLD 4009  
Phone: (07) 3877 2856  
Fax: (07) 3877 2890  
www.gossi.com.au Email:  
sales@gossi.com.au

©Copyright - This drawing  
is the property of G.James  
Glass & Aluminium Pty Ltd  
it must not be copied or  
shown to third parties  
without written consent

|  |                      |           |
|--|----------------------|-----------|
| PROJECT <b>Macquarie 120L Bin</b>      |                      |           |
| TITLE <b>General Arrangement</b>       |                      |           |
| DATE<br><b>06/02/26</b>                | SCALE<br><b>1:15</b> | <b>A3</b> |
| DRAWING NUMBER<br><b>MQ-120L-SLS-1</b> |                      |           |

**GENERAL MATERIALS:**

- Legs/ Frame in extruded aluminium
- Side, Rear, Door panels in folded sheet
- Bin hood in 6mm Anodising or Paint Grade
- Australian Standard (AS 1428.2)

**FINISHES**

- Extrusions in Class AA25 Andodising finishes
- Polyester Powder Coating
- *Note: Andodising colour may vary*

**HARDWARE**

- Cast height adjusters
- Triangle bin lock