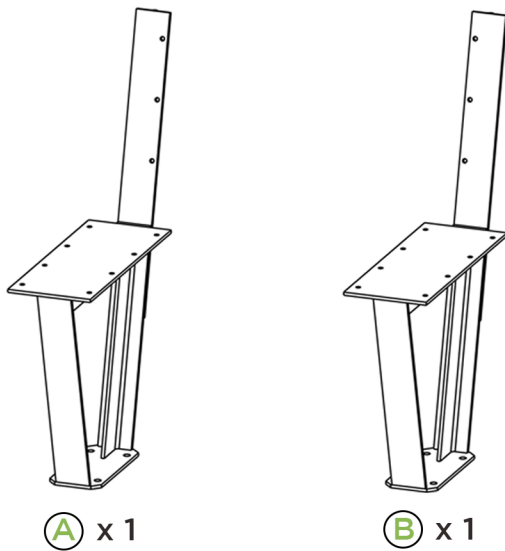


# Monaco Seat Assembly guide

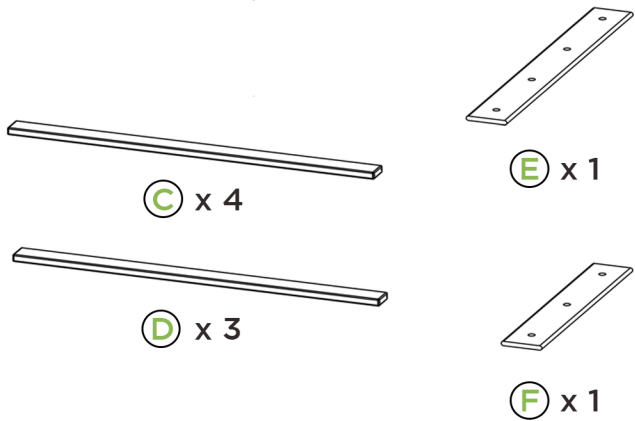
Approx assembly time: 45 minutes

\* extras provided for specific hardware

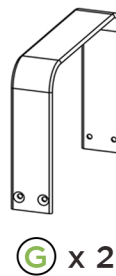
## Parts List



- |   |   |   |
|---|---|---|
| <b>1.</b> x 8<br><br>SLEEVE ANCHOR<br>M10 X 75mm | <b>2.</b> x 8<br><br>ARMOUR RING<br>M8 | <b>3.</b> x 29<br><br>POST BUTTON<br>M6 X 20mm |
|---|---|---|

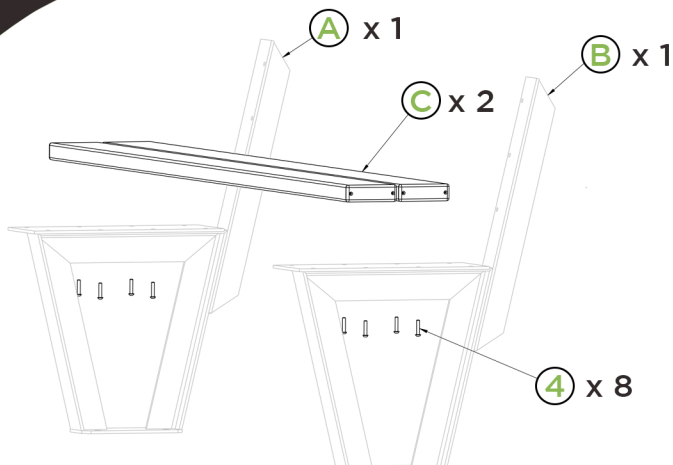


## Optional Additions



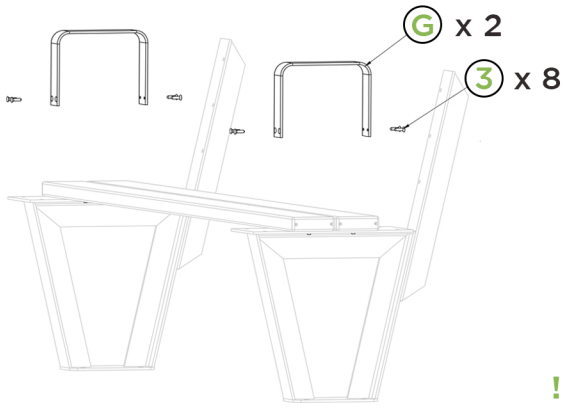
- |   |
|---|
| <b>4.</b> x 8<br><br>CS SS SCREW<br>14G X 1 INCH |
|---|

**1**



**STEP 1**  
 Install 2x slats in central  
 position from underside

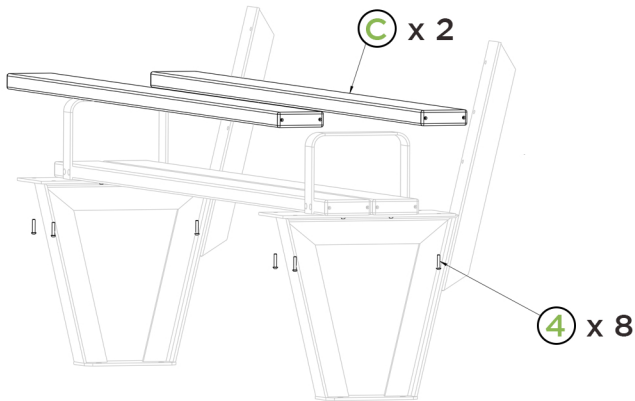
2



**STEP 2**  
Install 2x arms into  
the sides of the  
installed slats

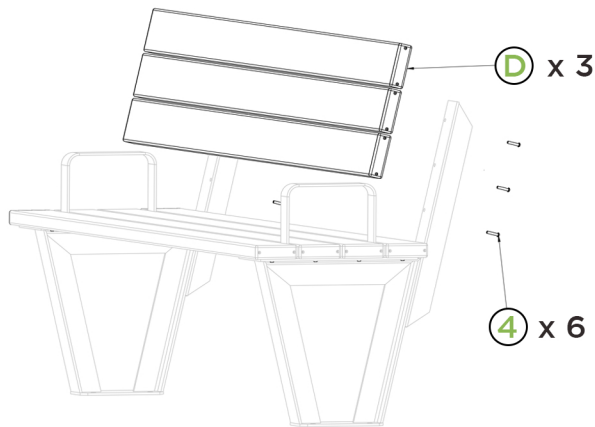
! step not relevant if arms not purchased

3



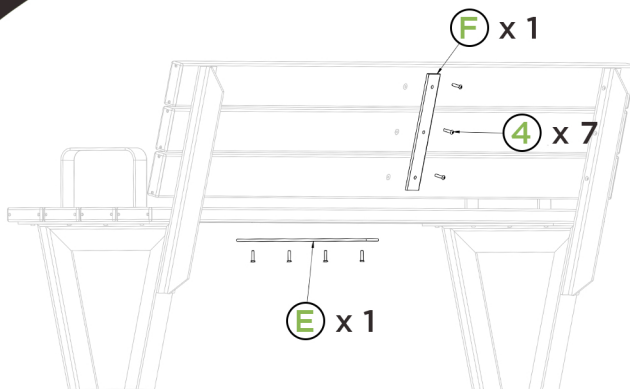
**STEP 3**  
Install 2x slats positioned  
on both sides of the arms

4



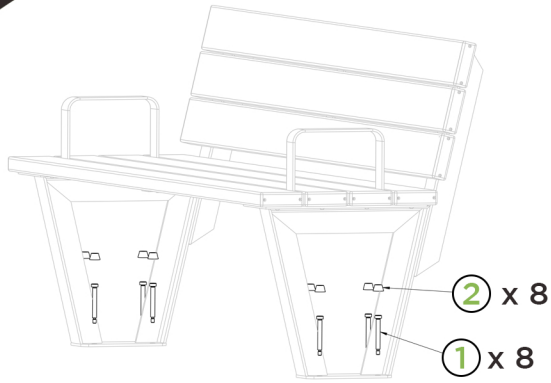
**STEP 4**  
Install 3x slats onto  
back rest rail

5



**STEP 5**  
Install 2x reinforcement  
bars into back and underside  
of seat

6



**STEP 6**

- Mark hole positions
- Using 10mm masonry drillbit create holes of minimum 75mm depth
- Clean out holes
- Secure to floor using mounting hardware