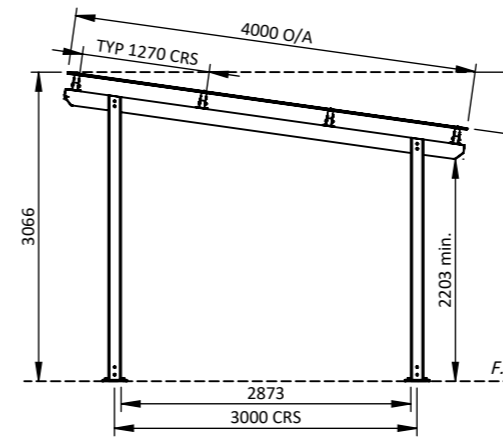
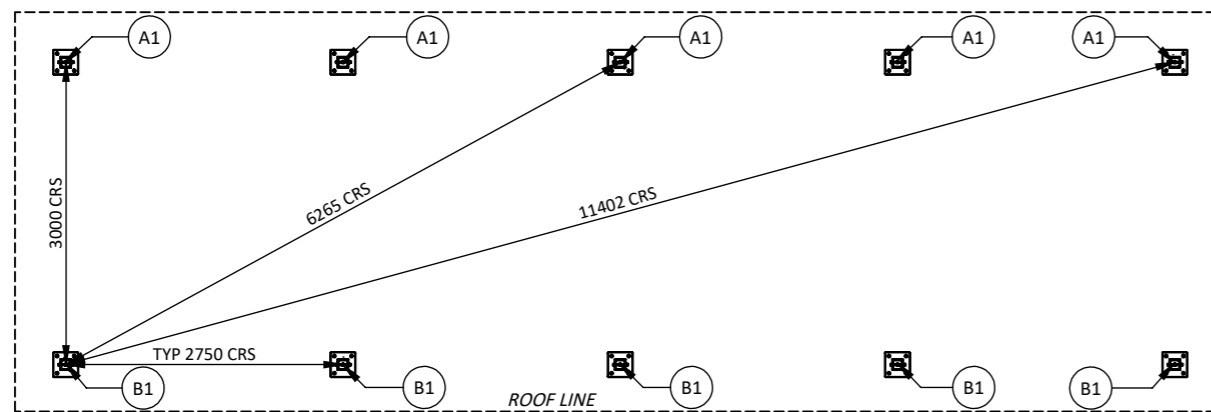


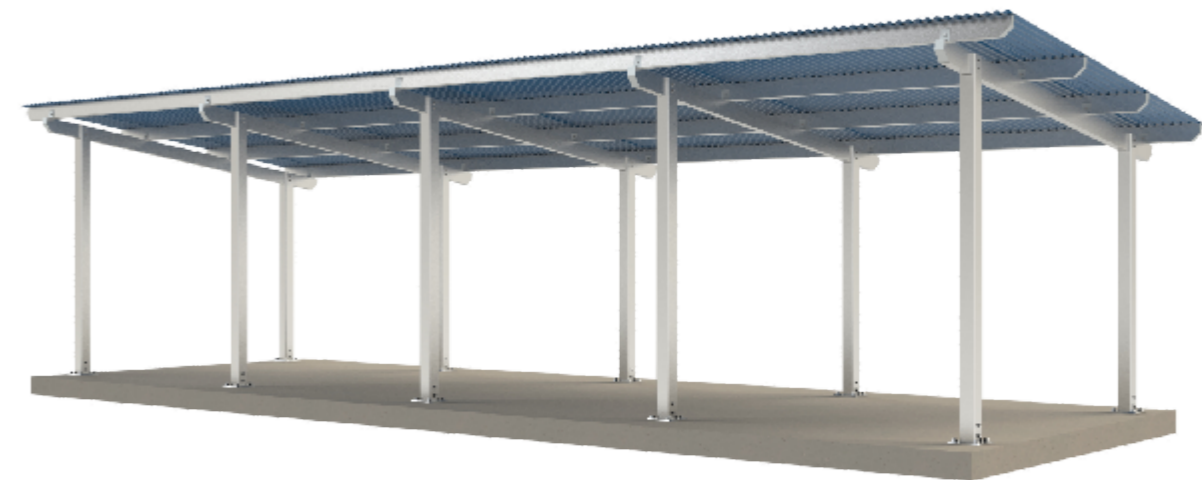
FRONT VIEW
1:75



SIDE VIEW
1:75



FOUNDATION PLAN
1:75



PICTORIAL VIEW

GOSSI
PARK & STREET FURNITURE

1082 Kingsford Smith Drive
EAGLE FARM - QLD 4009
Phone: (07) 3877 2856
Fax: (07) 3877 2890
www.gossi.com.au Email:
sales@gossi.com.au

©Copyright - This drawing
is the property of G.James
Glass & Aluminium Pty Ltd
it must not be copied or
shown to third parties
without written consent

PROJECT	Capricorn 12x4 Flange Mount		
TITLE	General Arrangement		
DATE	20/12/2022	SCALE	1:75
DRAWING NUMBER	CN-12x4-FM-SLS-1		
			A3

GENERAL MATERIALS:

- Posts, framing and roofing components in extruded aluminium.
- Roof sheeting in corrugated profile coated steel.

FINISHES

- Posts, framing and brackets in Class AA25 Anodising finishes, Polyester Powder Coating or wood look aluminium.
Note: Colour may vary between alloys.
- Spigots in Polyester Powder Coating finishes.
Note: 60 Micron minimum on visible faces.

HARDWARE

- Stainless steel anti-vandal fixings.
- Roof screws colour matched roof sheets.