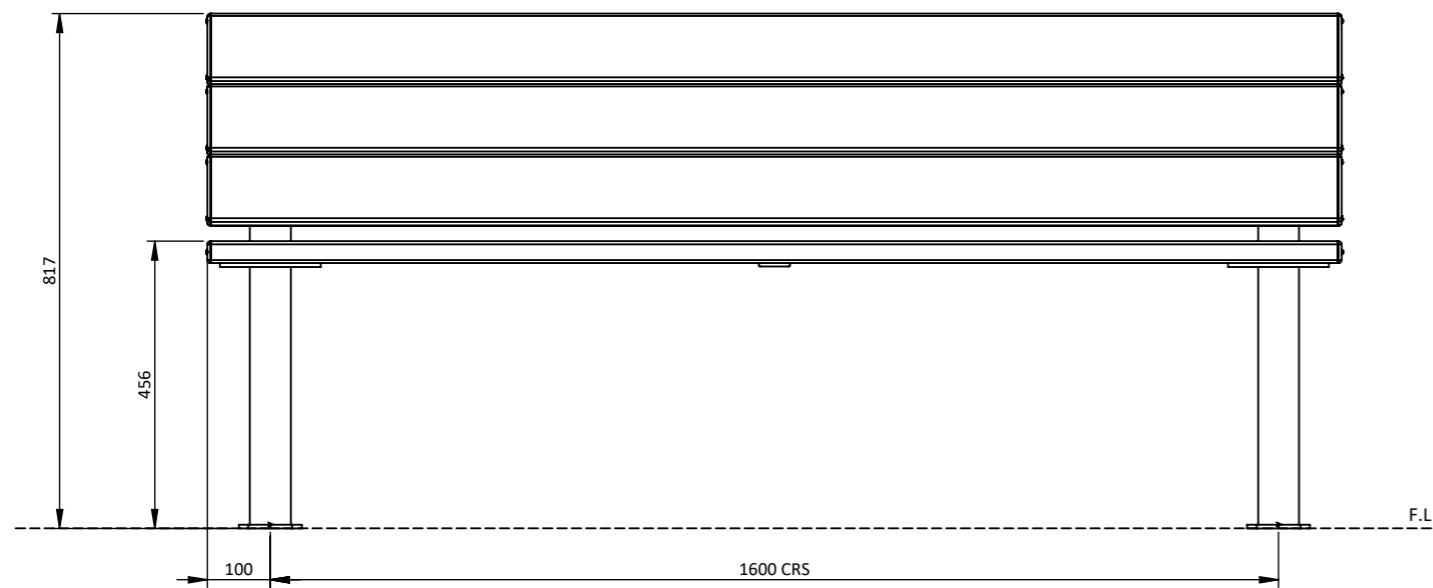
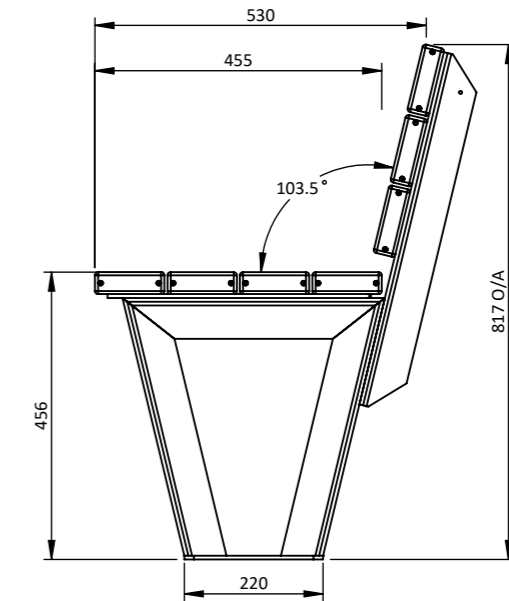


TOP VIEW 1:12



FRONT VIEW 1:12



SIDE VIEW 1:12

GOSSI
PARK & STREET FURNITURE

1082 Kingsford Smith Drive
EAGLE FARM - QLD 4009
Phone: (07) 3877 2856
Fax: (07) 3877 2890
www.gossi.com.au Email:
sales@gossi.com.au

©Copyright - This drawing
is the property of G.James
Glass & Aluminium Pty Ltd
it must not be copied or
shown to third parties
without written consent

PROJECT Monaco Seat - 1800	
TITLE General Arrangement	
DATE 06/04/2023	SCALE 1:12
DRAWING NUMBER Monaco Seat-1800-FM-1	

GENERAL MATERIALS:

- Planks / Slats in extruded aluminium
- Legs/Frame in cast aluminium or fabricated extruded aluminium.
- DDA Compliant
- Australian Standard (AS 1428.2)

FINISHES

- Slats / extrusions in Class AA25 Anodising finishes Polyester Powder Coating
- Wood grain finish on aluminium (ECO suite only)

Note: Anodising colour may vary

HARDWARE

- Stainless steel Anti-vandal fixings.
- Dynabolts with Armour Rings
- Spike Anchors